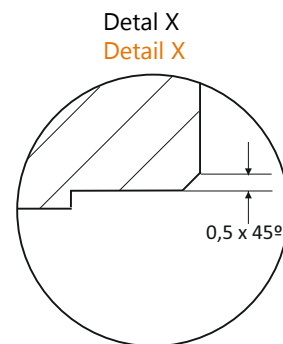
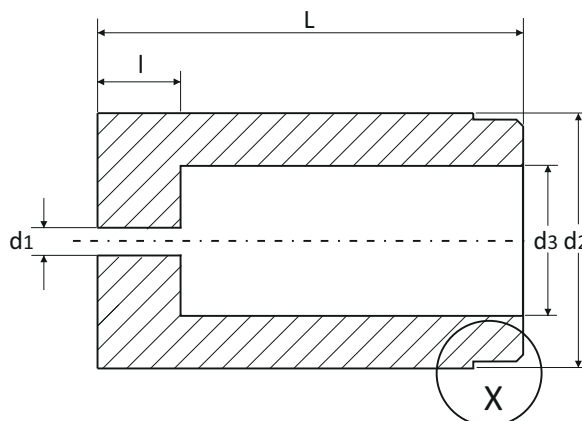


MATRYCE Z OTWOREM STARTOWYM ISO 8977 / TYP A, TYP B
MATRIXES WITH START BORE ISO 8977 / TYPE A, TYPE B



Typ A
Type A



WYKONANIE: hartowane

VERSION: Hardened

MATERIAŁ: HSS

MATERIAL: HSS

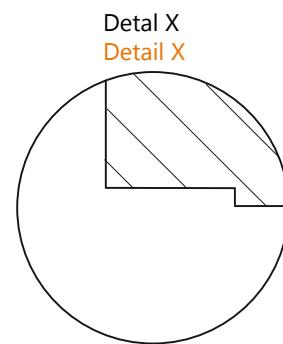
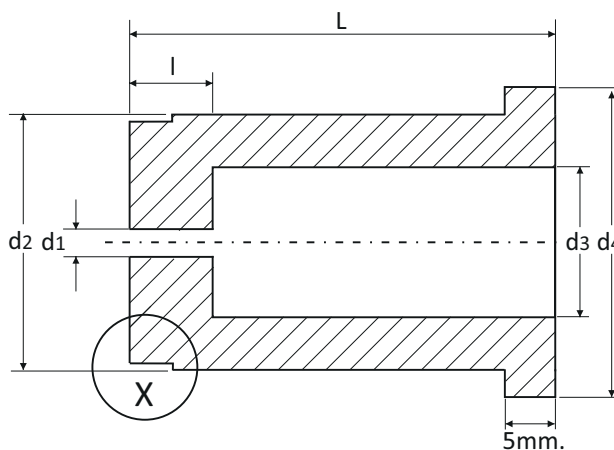
TWARDOŚĆ: 63-65 HRc

HARDNESS: 63-65 HRC

d2 (ns)	d1	L (+0/+0,5)	d3	l
5,0	1,0	16	2,8	2,0
6,0	1,0		3,5	3,0
8,0	1,0		4,0	4,0
10,0	1,0	20	5,8	4,0
13,0	1,2		8,0	5,0
16,0	1,2	25	9,5	5,0
20,0	1,5		12	8,0
25,0	1,5	30	17,3	8,0
32,0	1,5		20,7	8,0
40,0	1,5		27,7	8,0



Typ B
Type B



WYKONANIE: hartowane

VERSION: Hardened

MATERIAŁ: HSS

MATERIAL: HSS

TWARDOŚĆ: 63-65 HRc

HARDNESS: 63-65 HRC

d2 (ns)	d1	L (+0/+0,5)	d4	d3	l
5,0	1,0	16	8,0	2,8	2,0
6,0	1,0		9,0	3,5	3,0
8,0	1,0		11,0	4,0	4,0
10,0	1,0	20	13,0	5,8	4,0
13,0	1,2		16,0	8,0	5,0
16,0	1,2	25	19,0	9,5	5,0
20,0	1,5		24,0	12	8,0
25,0	1,5	30	29,0	17,3	8,0
32,0	1,5		36,0	20,7	8,0
40,0	1,5		44,0	27,7	8,0

PRZYKŁAD ZAMAWIANIA: Tulejka RTV: d2=10,0 mm L=20,0 mm
 ORDER EXAMPLE: Bushes RTV: d2=10,0 mm L=20,0 mm

Typ B
Type B

Nr. katalogowy: RTV-1020 B
 Order number: RTV-1020 B