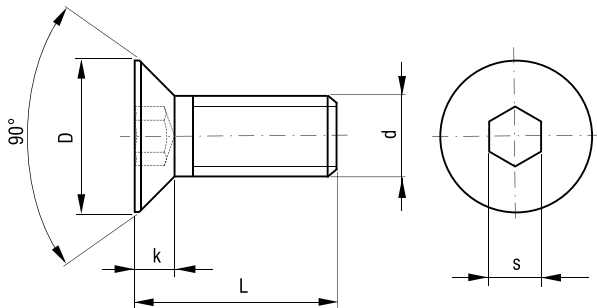


ŚRUBA Z ŁBEM STOŻKOWYM HEXAGON SOCKET COUNTERSUNK HEAD CAP BOLD

SSA



DIN 7991
Kl. 8.8



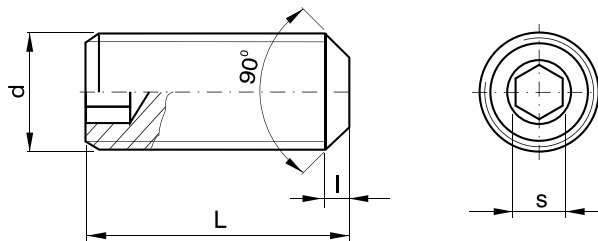
| d | L | D | k | s | Nr kat. / Item no. |
|-----|----|----|-----|-----|--------------------|
| M3 | 6 | 6 | 1,7 | 2 | SSA-0306 |
| | 8 | | 1,9 | | SSA-0308 |
| | 10 | | | | SSA-0310 |
| M4 | 8 | 8 | 2,5 | 2,5 | SSA-0408 |
| M5 | 10 | 10 | 3,1 | 3 | SSA-0510 |
| | 12 | | | | SSA-0512 |
| M6 | 10 | 12 | 3,7 | 4 | SSA-0610 |
| | 12 | | | | SSA-0612 |
| | 15 | | | | SSA-0615 |
| | 16 | | | | SSA-0616 |
| | 20 | | | | SSA-0620 |
| M8 | 25 | | | | SSA-0625 |
| | 16 | 16 | 5 | 5 | SSA-0816 |
| | 20 | | | | SSA-0820 |
| | 25 | | | | SSA-0825 |
| | | | | | |
| M10 | 20 | 20 | 6,2 | 6 | SSA-1020 |
| | 25 | | | | SSA-1025 |
| M12 | 30 | 24 | 7,5 | 8 | SSA-1230 |

ŚRUBA HEXAGON SOCKET

SSB



DIN 913-45H



| d | s | l | L | Nr kat. / Item no. |
|----|-----|------|----|--------------------|
| M3 | 1,5 | 0,5 | 6 | SSB-0306 |
| | | | 8 | SSB-0308 |
| M4 | 2 | 0,75 | 6 | SSB-0406 |
| | | | 8 | SSB-0408 |
| | | | 10 | SSB-0410 |
| M5 | 2,5 | 0,75 | 12 | SSB-0412 |
| | | | 6 | SSB-0506 |
| | | | 8 | SSB-0508 |
| | | | 10 | SSB-0510 |
| M6 | 3 | 1 | 12 | SSB-0512 |
| | | | 16 | SSB-0516 |
| | | | 6 | SSB-0606 |
| M6 | 3 | 1 | 8 | SSB-0608 |
| | | | 10 | SSB-0610 |
| | | | 12 | SSB-0612 |
| | | | 16 | SSB-0616 |
| | | | 20 | SSB-0620 |

| d | s | l | L | Nr kat. / Item no. |
|-----|---|------|----|--------------------|
| M8 | 4 | 1,25 | 8 | SSB-0808 |
| | | | 10 | SSB-0810 |
| | | | 12 | SSB-0812 |
| | | | 16 | SSB-0816 |
| | | | 20 | SSB-0820 |
| M10 | 5 | 1,5 | 30 | SSB-0830 |
| | | | 10 | SSB-1010 |
| | | | 12 | SSB-1012 |
| | | | 16 | SSB-1016 |
| | | | 20 | SSB-1020 |
| M12 | 6 | 1,75 | 30 | SSB-1030 |
| | | | 40 | SSB-1040 |
| | | | 12 | SSB-1212 |
| | | | 16 | SSB-1216 |
| M16 | 8 | 2 | 20 | SSB-1220 |
| | | | 30 | SSB-1230 |
| | | | 40 | SSB-1240 |
| M16 | 8 | 2 | 20 | SSB-1620 |
| | | | 30 | SSB-1630 |
| | | | 40 | SSB-1640 |