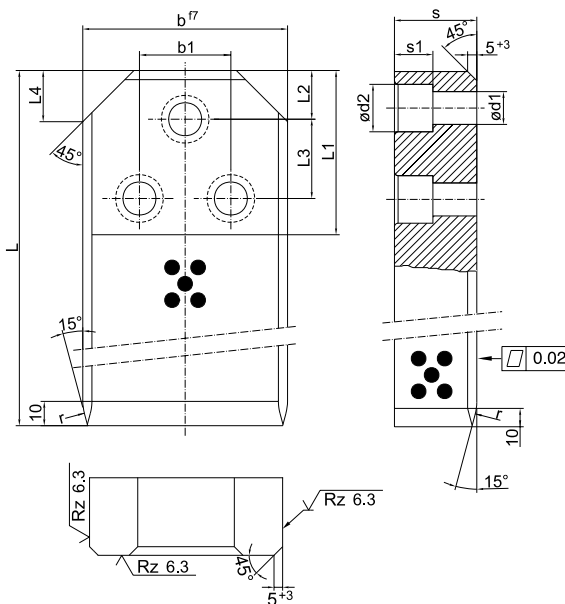


PROWADNICA ŚLIZGOWA SAMOSMARNA
GUIDE BAR WITH LUBRICANT



Mat.:
Stal + grafit / Steel + graphite



b	L	s	b1	L1	L2	L3 ±0,2	L4	r	s1	ø d1/d2	Sposób mocowania Quantity cheese head screws	Nr kat. / Item no.
63	180	25	36	90	20	50	18	16	16	14/20	3	GVC-19196
	200											GVC-19197
	224											GVC-19198
	180	36										GVC-19199
	200											GVC-19200
	224											GVC-19201
71	180	25	36	90	20	50	18	16	16	14/20	3	GVC-19202
	200											GVC-19203
	224											GVC-19204
	180	36										GVC-19205
	200											GVC-19206
	224											GVC-19207
90	200	36	50	100	20	50	28	25	21	18/26	3	GVC-19208
	224											GVC-19209
	250											GVC-19210
	200	45										GVC-19211
	224											GVC-19212
	250											GVC-19213
112	200	36	50	100	20	50	28	25	21	18/26	3	GVC-19214
	224											GVC-19215
	250											GVC-19216
	200	45										GVC-19217
	224											GVC-19218
	250											GVC-19219