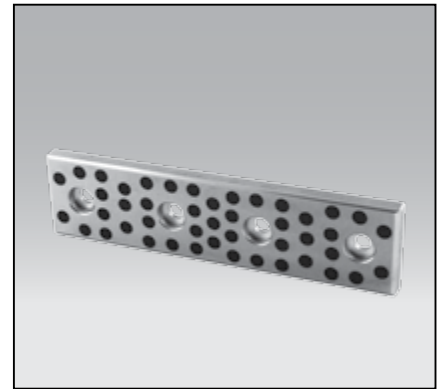
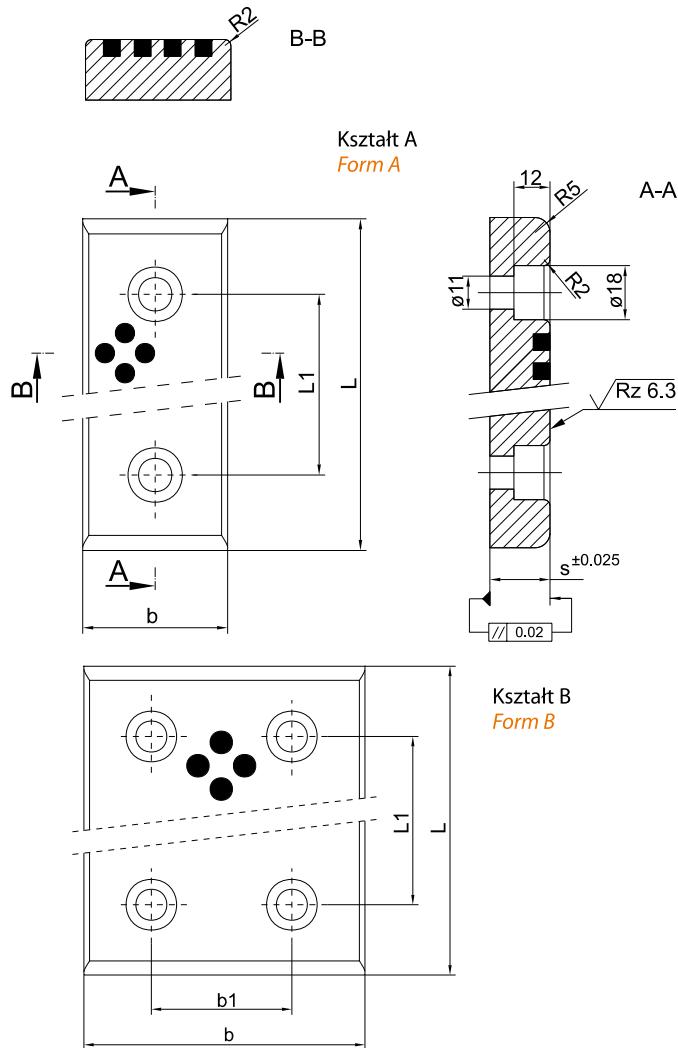


# PVC

# PŁYTKA SAMOSMARNA WEAR PLATE SELF LUBRICATING



Mat.:  
Brąz aluminiowy + grafit  
Aluminium bronze + graphite

b × L × s	b1	L1	Kształt / Form	Nr kat. / Item no.		
28 × 75 × 20	-	45	A	PVC-17180		
28 × 100 × 20		50		PVC-17181		
28 × 125 × 20		75		PVC-17184		
28 × 150 × 20		100		PVC-17182		
38 × 75 × 20		45		PVC-17183		
38 × 125 × 20		75		PVC-13269		
38 × 200 × 20		150		PVC-17185		
58 × 75 × 20		45		PVC-17189		
58 × 100 × 20		50		PVC-17190		
58 × 150 × 20		100		PVC-17191		
75 × 75 × 20		25		PVC-17155		
75 × 100 × 20		50		PVC-17157		
100 × 300 × 20		50		200	B	PVC-14799
125 × 125 × 20				75		PVC-15291
125 × 300 × 20	250		PVC-14805			
125 × 350 × 20	200		PVC-17159			
150 × 300 × 20	100		250	PVC-17192		
200 × 200 × 20	150		150	PVC-17193		
200 × 250 × 20	150		200	PVC-17194		
200 × 300 × 20	150		250	PVC-17195		