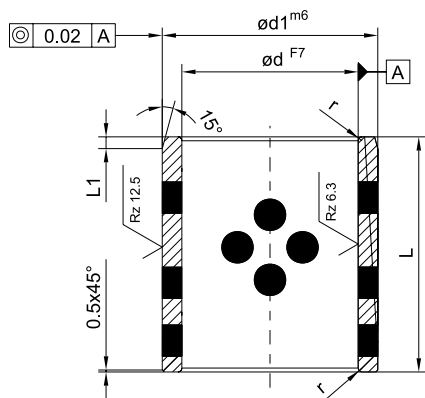


# TVA

## TULEJA PROWADZĄCA SAMOSMARNA GUIDE BUSH SELF LUBRICATING

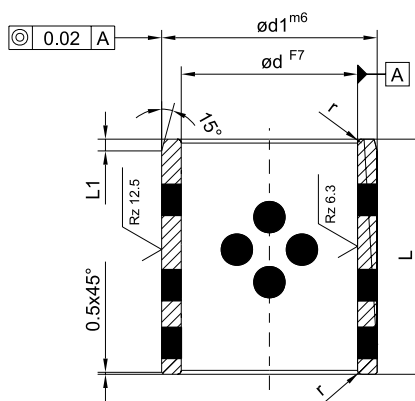


| $\varnothing d$ | $\varnothing d_1$ | L         | $L_1$     | r | Nr kat. / Item no. |
|-----------------|-------------------|-----------|-----------|---|--------------------|
| 8               | 11                | 14        | 1         |   | TVA-14572          |
|                 |                   | 15        |           |   | TVA-17004          |
|                 |                   | 8         |           |   | TVA-19604          |
|                 | 12                | 10        |           |   | TVA-15356          |
|                 |                   | 12        |           |   | TVA-14444          |
|                 |                   | 15        |           |   | TVA-15573          |
| 10              | 14                | 8         | TVA-15937 |   |                    |
|                 |                   | 10        | TVA-15294 |   |                    |
|                 |                   | 12        | TVA-15423 |   |                    |
|                 | 15                | 15        | TVA-14764 |   |                    |
|                 |                   | 20        | TVA-15293 |   |                    |
|                 |                   | 10        | TVA-19605 |   |                    |
| 12              | 16                | 12        | TVA-15588 |   |                    |
|                 |                   | 20        | TVA-14445 |   |                    |
|                 |                   | 20        | TVA-13832 |   |                    |
|                 | 18                | 10        | TVA-15424 |   |                    |
|                 |                   | 12        | TVA-19606 |   |                    |
|                 |                   | 15        | TVA-14996 |   |                    |
|                 |                   | 16        | TVA-17000 |   |                    |
|                 | 20                | 20        | TVA-17001 |   |                    |
|                 |                   | 25        | TVA-17002 |   |                    |
|                 |                   | 30        | TVA-17003 |   |                    |
| 10              |                   | TVA-15425 |           |   |                    |
| 13              | 19                | 16        | TVA-15355 |   |                    |
|                 |                   | 20        | TVA-15400 |   |                    |
|                 |                   | 10        | TVA-17011 |   |                    |
| 14              | 20                | 12        | TVA-17018 |   |                    |
|                 |                   | 16        | TVA-17025 |   |                    |
|                 |                   | 20        | TVA-17037 |   |                    |
|                 |                   | 25        | TVA-14752 |   |                    |
|                 |                   | 30        | TVA-17048 |   |                    |
| 15              | 21                | 10        | TVA-17055 |   |                    |
|                 |                   | 12        | TVA-17075 |   |                    |
|                 |                   | 15        | TVA-15275 |   |                    |
|                 |                   | 20        | TVA-17086 |   |                    |
|                 |                   | 25        | TVA-15536 |   |                    |
|                 |                   | 30        | TVA-17087 |   |                    |
| 16              | 20                | 16        | TVA-14446 |   |                    |
|                 |                   | 20        | TVA-15076 |   |                    |
|                 |                   | 25        | TVA-15207 |   |                    |
|                 |                   | 28        | TVA-14094 |   |                    |
|                 | 22                | 10        | TVA-17088 |   |                    |
|                 |                   | 12        | TVA-14762 |   |                    |
|                 |                   | 15        | TVA-13900 |   |                    |
|                 |                   | 16        | TVA-19607 |   |                    |
| 16              | 22                | 20        | TVA-17005 |   |                    |
|                 |                   | 25        | TVA-17006 |   |                    |

| $\varnothing d$ | $\varnothing d_1$ | L  | $L_1$     | r | Nr kat. / Item no. |
|-----------------|-------------------|----|-----------|---|--------------------|
| 16              | 22                | 30 | 2         |   | TVA-17007          |
|                 |                   | 35 |           |   | TVA-17008          |
|                 |                   | 40 |           |   | TVA-17009          |
|                 |                   | 12 |           |   | TVA-17089          |
| 18              | 24                | 15 | 2         | 1 | TVA-15213          |
|                 |                   | 16 |           |   | TVA-14387          |
|                 |                   | 18 |           |   | TVA-15450          |
|                 |                   | 20 |           |   | TVA-15466          |
|                 |                   | 25 |           |   | TVA-15468          |
|                 |                   | 30 |           |   | TVA-15636          |
|                 |                   | 35 |           |   | TVA-15740          |
|                 |                   | 40 |           |   | TVA-14388          |
| 19              | 26                | 15 | 3         | 1 | TVA-16812          |
|                 |                   | 20 |           |   | TVA-16813          |
|                 |                   | 15 |           |   | TVA-15590          |
|                 |                   | 20 |           |   | TVA-15710          |
|                 |                   | 25 |           |   | TVA-14644          |
|                 |                   | 30 |           |   | TVA-15206          |
| 20              | 28                | 10 | 2         | 1 | TVA-17098          |
|                 |                   | 12 |           |   | TVA-17099          |
|                 |                   | 15 |           |   | TVA-15232          |
|                 |                   | 16 |           |   | TVA-17010          |
|                 |                   | 20 |           |   | TVA-19608          |
|                 | 30                | 25 |           |   | TVA-17012          |
|                 |                   | 30 |           |   | TVA-17013          |
|                 |                   | 35 |           |   | TVA-17014          |
|                 |                   | 40 |           |   | TVA-17015          |
|                 |                   | 50 |           |   | TVA-15276          |
| 22              | 32                | 16 | 3         | 2 | TVA-14389          |
|                 |                   | 20 |           |   | TVA-15422          |
|                 |                   | 25 |           |   | TVA-15163          |
|                 |                   | 30 |           |   | TVA-15935          |
|                 |                   | 35 |           |   | TVA-15617          |
|                 |                   | 40 |           |   | TVA-14144          |
| 25              | 33                | 50 | 3         | 2 | TVA-15712          |
|                 |                   | 12 |           |   | TVA-16800          |
|                 |                   | 15 |           |   | TVA-16801          |
|                 |                   | 20 |           |   | TVA-16802          |
|                 |                   | 25 |           |   | TVA-16803          |
|                 | 30                | 20 |           |   | TVA-13153          |
|                 |                   | 12 |           |   | TVA-16804          |
|                 |                   | 16 |           |   | TVA-17016          |
|                 |                   | 20 |           |   | TVA-17017          |
|                 |                   | 25 |           |   | TVA-19609          |
| 25              | 33                | 30 | TVA-17019 |   |                    |
|                 |                   | 35 | TVA-17020 |   |                    |
|                 |                   | 40 | TVA-17021 |   |                    |

| $\varnothing d$ | $\varnothing d_1$ | L   | $L_1$ | r | Nr kat. / Item no. |
|-----------------|-------------------|-----|-------|---|--------------------|
| 25              | 33                | 50  | 3     | 2 | TVA-17022          |
|                 |                   | 60  |       |   | TVA-13858          |
|                 |                   | 12  |       |   | TVA-16805          |
|                 |                   | 16  |       |   | TVA-14606          |
|                 |                   | 20  |       |   | TVA-14170          |
|                 |                   | 25  |       |   | TVA-14730          |
| 30              | 35                | 30  | 3     | 2 | TVA-14395          |
|                 |                   | 35  |       |   | TVA-14390          |
|                 |                   | 40  |       |   | TVA-14399          |
|                 |                   | 50  |       |   | TVA-15345          |
|                 |                   | 60  |       |   | TVA-15362          |
|                 |                   | 15  |       |   | TVA-16806          |
|                 |                   | 20  |       |   | TVA-17023          |
|                 |                   | 25  |       |   | TVA-17024          |
| 31              | 38                | 30  | 3     | 2 | TVA-19610          |
|                 |                   | 35  |       |   | TVA-17026          |
|                 |                   | 40  |       |   | TVA-17027          |
|                 |                   | 45  |       |   | TVA-14070          |
|                 |                   | 50  |       |   | TVA-17028          |
|                 |                   | 60  |       |   | TVA-17029          |
|                 |                   | 20  |       |   | TVA-15421          |
|                 |                   | 25  |       |   | TVA-14311          |
|                 |                   | 30  |       |   | TVA-14542          |
|                 |                   | 35  |       |   | TVA-14121          |
| 32              | 40                | 40  | 3     | 2 | TVA-14104          |
|                 |                   | 50  |       |   | TVA-15176          |
|                 |                   | 60  |       |   | TVA-14919          |
|                 |                   | 45  |       |   | TVA-15377          |
|                 |                   | 30  |       |   | TVA-14582          |
|                 |                   | 40  |       |   | TVA-14517          |
| 35              | 42                | 30  | 4     | 2 | TVA-13460          |
|                 |                   | 40  |       |   | TVA-16808          |
|                 |                   | 25  |       |   | TVA-14391          |
|                 |                   | 30  |       |   | TVA-17030          |
|                 |                   | 35  |       |   | TVA-17031          |
|                 |                   | 40  |       |   | TVA-17032          |
|                 |                   | 50  |       |   | TVA-17033          |
|                 |                   | 60  |       |   | TVA-17034          |
| 35              | 44                | 20  | 4     | 2 | TVA-16809          |
|                 |                   | 25  |       |   | TVA-14825          |
|                 |                   | 30  |       |   | TVA-14103          |
|                 |                   | 35  |       |   | TVA-14166          |
|                 |                   | 40  |       |   | TVA-14952          |
|                 |                   | 45  |       |   | TVA-14756          |
|                 |                   | 50  |       |   | TVA-15138          |
|                 |                   | 60  |       |   | TVA-15175          |
|                 |                   | 100 |       |   | TVA-14597          |

TULEJA PROWADZĄCA SAMOSMARNA  
GUIDE BUSH SELF LUBRICATING



Mat.:  
Brąz aluminiowy + grafit  
Aluminium bronze + graphite

| ød | ød <sub>1</sub> | L   | L <sub>1</sub> | r | Nr kat. / Item no. |
|----|-----------------|-----|----------------|---|--------------------|
| 38 | 48              | 30  |                |   | TVA-16810          |
|    |                 | 40  |                |   | TVA-16811          |
| 40 | 50              | 20  | 3              | 2 | TVA-16814          |
|    |                 | 25  |                |   | TVA-15212          |
|    |                 | 30  |                |   | TVA-17035          |
|    |                 | 35  |                |   | TVA-17036          |
|    |                 | 40  |                |   | TVA-19611          |
|    |                 | 50  |                |   | TVA-17038          |
|    |                 | 60  |                |   | TVA-17039          |
|    |                 | 80  |                |   | TVA-16815          |
|    | 55              | 25  |                |   | TVA-14592          |
|    |                 | 30  |                |   | TVA-14680          |
|    |                 | 35  |                |   | TVA-14599          |
|    |                 | 40  |                |   | TVA-14396          |
|    |                 | 50  |                |   | TVA-14397          |
|    |                 | 60  |                |   | TVA-15237          |
| 45 | 56              | 30  | 3              | 2 | TVA-14601          |
|    |                 | 35  |                |   | TVA-14610          |
|    |                 | 40  |                |   | TVA-15230          |
|    |                 | 50  |                |   | TVA-14613          |
|    | 60              | 60  |                |   | TVA-14063          |
|    |                 | 110 |                |   | TVA-14099          |
|    |                 | 30  |                |   | TVA-17040          |
|    |                 | 35  |                |   | TVA-17041          |
|    |                 | 40  |                |   | TVA-17042          |
|    |                 | 50  |                |   | TVA-17043          |
| 50 | 62              | 60  | 4              | 3 | TVA-17044          |
|    |                 | 30  |                |   | TVA-14609          |
|    |                 | 40  |                |   | TVA-14612          |
|    |                 | 50  |                |   | TVA-15501          |
|    |                 | 60  |                |   | TVA-15570          |
|    |                 | 70  |                |   | TVA-16816          |
|    | 65              | 80  |                |   | TVA-16817          |
|    |                 | 30  |                |   | TVA-14731          |
|    |                 | 35  |                |   | TVA-14615          |
|    |                 | 40  |                |   | TVA-14266          |
|    |                 | 50  |                |   | TVA-14732          |
|    |                 | 60  |                |   | TVA-15465          |
| 50 | 62              | 70  | 4              | 3 | TVA-14621          |
|    |                 | 80  |                |   | TVA-15464          |
|    |                 | 30  |                |   | TVA-17045          |
|    |                 | 35  |                |   | TVA-17046          |
|    | 70              | 40  |                |   | TVA-17047          |
|    |                 | 60  |                |   | TVA-19612          |
|    |                 | 70  |                |   | TVA-17049          |
|    |                 | 80  |                |   | TVA-17050          |
|    |                 | 80  |                |   | TVA-15113          |
|    |                 | 30  |                |   | TVA-14614          |
| 40 | TVA-14617       |     |                |   |                    |

| ød  | ød <sub>1</sub> | L   | L <sub>1</sub> | r | Nr kat. / Item no. |
|-----|-----------------|-----|----------------|---|--------------------|
| 50  | 65              | 50  | 3              | 2 | TVA-15929          |
|     |                 | 60  |                |   | TVA-15957          |
|     |                 | 70  |                |   | TVA-15928          |
|     |                 | 80  |                |   | TVA-16845          |
|     |                 | 100 |                |   | TVA-16819          |
|     |                 | 40  |                |   | TVA-14622          |
| 55  | 70              | 50  | 3              | 2 | TVA-14625          |
|     |                 | 60  |                |   | TVA-14308          |
|     |                 | 70  |                |   | TVA-14626          |
|     |                 | 50  |                |   | TVA-13092          |
| 60  | 74              | 30  | 4              | 3 | TVA-17051          |
|     |                 | 35  |                |   | TVA-17052          |
|     |                 | 40  |                |   | TVA-17053          |
|     |                 | 45  |                |   | TVA-15372          |
|     |                 | 50  |                |   | TVA-17054          |
|     | 75              | 60  |                |   | TVA-19613          |
|     |                 | 70  |                |   | TVA-17056          |
|     |                 | 80  |                |   | TVA-17057          |
|     |                 | 30  |                |   | TVA-14627          |
|     |                 | 35  |                |   | TVA-15074          |
| 63  | 80              | 40  | 4              | 3 | TVA-14628          |
|     |                 | 50  |                |   | TVA-14631          |
|     |                 | 60  |                |   | TVA-15467          |
|     |                 | 70  |                |   | TVA-15840          |
|     |                 | 80  |                |   | TVA-15307          |
|     |                 | 100 |                |   | TVA-15697          |
| 65  | 85              | 60  | 4              | 3 | TVA-14632          |
|     |                 | 70  |                |   | TVA-15139          |
|     |                 | 80  |                |   | TVA-16820          |
|     |                 | 50  |                |   | TVA-16821          |
|     |                 | 60  |                |   | TVA-14959          |
|     |                 | 70  |                |   | TVA-14633          |
| 70  | 90              | 80  | 4              | 3 | TVA-16822          |
|     |                 | 80  |                |   | TVA-16822          |
|     |                 | 35  |                |   | TVA-17058          |
|     |                 | 40  |                |   | TVA-17059          |
|     |                 | 50  |                |   | TVA-17060          |
|     | 75              | 60  |                |   | TVA-17061          |
|     |                 | 70  |                |   | TVA-17062          |
|     |                 | 80  |                |   | TVA-17063          |
|     |                 | 100 |                |   | TVA-17064          |
|     |                 | 40  |                |   | TVA-13236          |
| 75  | 90              | 50  | 4              | 3 | TVA-16823          |
|     |                 | 60  |                |   | TVA-14634          |
|     |                 | 70  |                |   | TVA-14639          |
|     |                 | 80  |                |   | TVA-14643          |
|     |                 | 60  |                |   | TVA-16824          |
|     |                 | 70  |                |   | TVA-16825          |
| 80  | TVA-16826       |     |                |   |                    |
| 100 | TVA-16827       |     |                |   |                    |

| ød  | ød <sub>1</sub> | L   | L <sub>1</sub> | r | Nr kat. / Item no. |
|-----|-----------------|-----|----------------|---|--------------------|
| 75  | 95              | 60  |                |   | TVA-16828          |
|     |                 | 70  |                |   | TVA-16829          |
|     |                 | 80  |                |   | TVA-16830          |
|     |                 | 100 |                |   | TVA-16831          |
| 80  | 96              | 40  | 4              | 3 | TVA-17065          |
|     |                 | 50  |                |   | TVA-17066          |
|     |                 | 60  |                |   | TVA-17067          |
|     |                 | 70  |                |   | TVA-17068          |
|     |                 | 80  |                |   | TVA-19614          |
|     |                 | 100 |                |   | TVA-17070          |
| 90  | 110             | 120 | 4              | 3 | TVA-17071          |
|     |                 | 40  |                |   | TVA-15569          |
|     |                 | 50  |                |   | TVA-14648          |
|     |                 | 60  |                |   | TVA-15930          |
|     |                 | 70  |                |   | TVA-15931          |
|     |                 | 80  |                |   | TVA-15967          |
|     |                 | 100 |                |   | TVA-14010          |
|     |                 | 120 |                |   | TVA-15393          |
|     |                 | 140 |                |   | TVA-16832          |
|     |                 | 50  |                |   | TVA-16833          |
| 100 | 120             | 60  | 4              | 3 | TVA-14649          |
|     |                 | 70  |                |   | TVA-14650          |
|     |                 | 80  |                |   | TVA-15087          |
|     |                 | 100 |                |   | TVA-14651          |
|     |                 | 120 |                |   | TVA-14656          |
|     |                 | 60  |                |   | TVA-17072          |
| 100 | 120             | 70  | 4              | 3 | TVA-17073          |
|     |                 | 80  |                |   | TVA-17074          |
|     |                 | 100 |                |   | TVA-19615          |
|     |                 | 120 |                |   | TVA-17076          |
|     |                 | 140 |                |   | TVA-16834          |
|     |                 | 80  |                |   | TVA-17077          |
| 110 | 130             | 100 | 4              | 3 | TVA-17078          |
|     |                 | 120 |                |   | TVA-17079          |
|     |                 | 80  |                |   | TVA-17080          |
|     |                 | 100 |                |   | TVA-17081          |
| 120 | 140             | 100 | 4              | 3 | TVA-17082          |
|     |                 | 120 |                |   | TVA-17082          |
|     |                 | 140 |                |   | TVA-16835          |
|     |                 | 100 |                |   | TVA-16836          |
| 125 | 145             | 120 | 4              | 3 | TVA-16837          |
|     |                 | 100 |                |   | TVA-17083          |
|     |                 | 120 |                |   | TVA-17084          |
|     |                 | 130 |                |   | TVA-17085          |
| 130 | 150             | 100 | 4              | 3 | TVA-16838          |
|     |                 | 130 |                |   | TVA-16839          |
|     |                 | 100 |                |   | TVA-16840          |
|     |                 | 150 |                |   | TVA-16841          |
| 140 | 160             | 100 | 4              | 3 | TVA-16842          |
|     |                 | 140 |                |   | TVA-16843          |
| 150 | 170             | 100 | 4              | 3 | TVA-16844          |
|     |                 | 150 |                |   | TVA-16845          |
| 160 | 180             | 100 | 4              | 3 | TVA-16846          |
|     |                 | 150 |                |   | TVA-16847          |