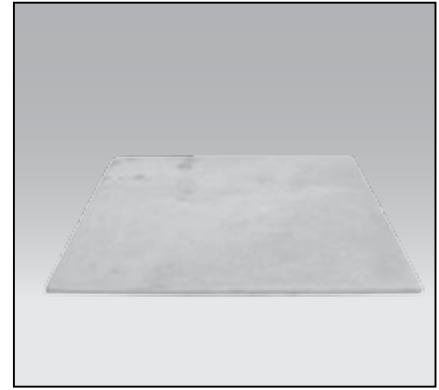
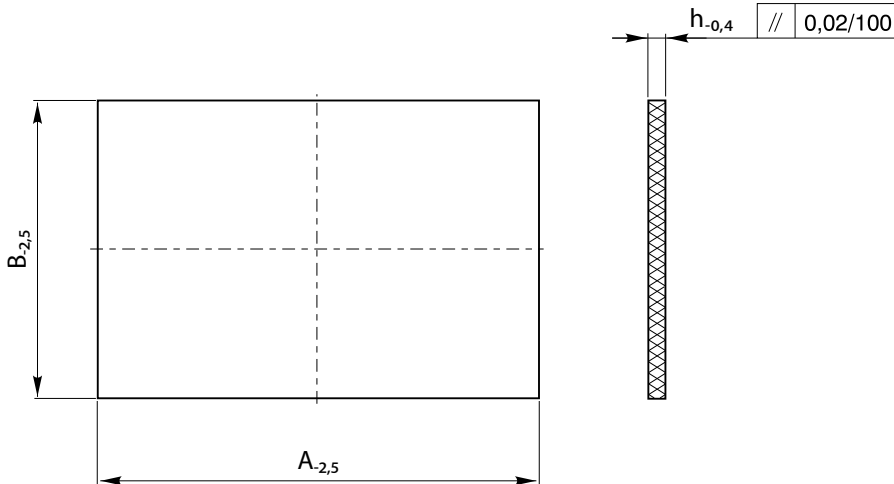


PIC

PŁYTA IZOLACYJNA 600 N/mm² INSULATING PLATE 600 N/mm²



Maksymalna temperatura robocza: 240 °C
Maximum service temperature

Absorpcja wody: 0,05 %/24 h
Water absorption

Gęstość: 2,0 g/cm³
Density

Współcz. przewodnictwa cieplnego: .. 0,22 W/m K
Thermal conductivity

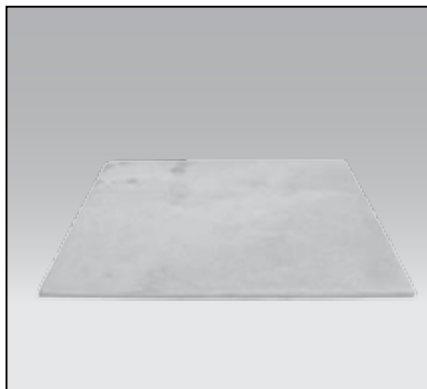
B	A	h	Nr kat. / Item no.
95	95	3	PIC-095 095/3
100	130		PIC-100 130/3
156	156		PIC-156 156/3
	196		PIC-156 196/3
246	246		PIC-156 246/3
	190		PIC-190 246/3
196	196		PIC-196 196/3
	246		PIC-196 246/3
206	156		PIC-206 156/3
	196		PIC-206 196/3
95	95	5	PIC-095 095/5
100	130		PIC-100 130/5
156	156		PIC-156 156/5
	196		PIC-156 196/5
	246		PIC-156 246/5
	296		PIC-156 296/5
396	156		PIC-156 396/5
	190		PIC-190 246/5
296	296		PIC-190 296/5
	196		PIC-196 196/5
196	246	PIC-196 246/5	
	296	PIC-196 296/5	
	346	PIC-196 346/5	
	396	PIC-196 396/5	
206	156	PIC-206 156/5	
	196	PIC-206 196/5	
218	246	PIC-218 246/5	
	296	PIC-218 296/5	
246	246	PIC-246 246/5	
	296	PIC-246 296/5	
	346	PIC-246 346/5	
	396	PIC-246 396/5	
254	246	PIC-254 246/5	
276	246	PIC-276 246/5	
126	156	6	PIC-126 156/6
	246		PIC-126 246/6
156	156		PIC-156 156/6
	196		PIC-156 196/6
	206		PIC-156 206/6
	246		PIC-156 246/6

B	A	h	Nr kat. / Item no.
156	296	6	PIC-156 296/6
	346		PIC-156 346/6
	396		PIC-156 396/6
	446		PIC-156 446/6
196	196		PIC-196 196/6
	206		PIC-196 206/6
	246		PIC-196 246/6
	296		PIC-196 296/6
	346		PIC-196 346/6
	396		PIC-196 396/6
216	446	PIC-196 446/6	
	496	PIC-196 496/6	
	246	PIC-216 246/6	
	296	PIC-216 296/6	
	396	PIC-216 396/6	
	446	PIC-216 446/6	
246	246	PIC-246 246/6	
	266	PIC-246 266/6	
	296	PIC-246 296/6	
	346	PIC-246 346/6	
	396	PIC-246 396/6	
	446	PIC-246 446/6	
	496	PIC-246 496/6	
	546	PIC-246 546/6	
266	296	PIC-266 296/6	
196	296	7	PIC-196 296/7
	346		PIC-196 346/7
	396		PIC-196 396/7
	446		PIC-196 446/7
218	396		PIC-218 396/7
	246		PIC-246 246/7
	296		PIC-246 296/7
	346		PIC-246 346/7
246	396		PIC-246 396/7
	446		PIC-246 446/7
	254	PIC-254 246/7	
	276	PIC-276 296/7	
296	296	PIC-296 296/7	
	346	PIC-296 346/7	

B	A	h	Nr kat. / Item no.
296	396	7	PIC-296 396/7
	446		PIC-296 446/7
346	346		PIC-346 346/7
	396		PIC-346 396/7
	446		PIC-346 446/7
496	496		PIC-346 496/7
	546		PIC-346 546/7
	396		PIC-396 396/7
396	446		PIC-396 446/7
	496		PIC-396 496/7
	546	PIC-396 546/7	
496	546	PIC-496 546/7	
296	296	8	PIC-296 296/8
	346		PIC-296 346/8
	396		PIC-296 396/8
	446		PIC-296 446/8
	496		PIC-296 496/8
	546		PIC-296 546/8
	596		PIC-296 596/8
	646		PIC-296 646/8
696	PIC-296 696/8		
346	346		PIC-346 346/8
	396	PIC-346 396/8	
	446	PIC-346 446/8	
	496	PIC-346 496/8	
	546	PIC-346 546/8	
	596	PIC-346 596/8	
	646	PIC-346 646/8	
	696	PIC-346 696/8	
396	396	PIC-396 396/8	
	446	PIC-396 446/8	
	496	PIC-396 496/8	
	546	PIC-396 546/8	
	596	PIC-396 596/8	
	646	PIC-396 646/8	
	696	PIC-396 696/8	
	796	PIC-396 796/8	
446	446	PIC-446 446/8	

PLYTA IZOLACYJNA 600 N/mm²
INSULATING PLATE 600 N/mm²

PIC

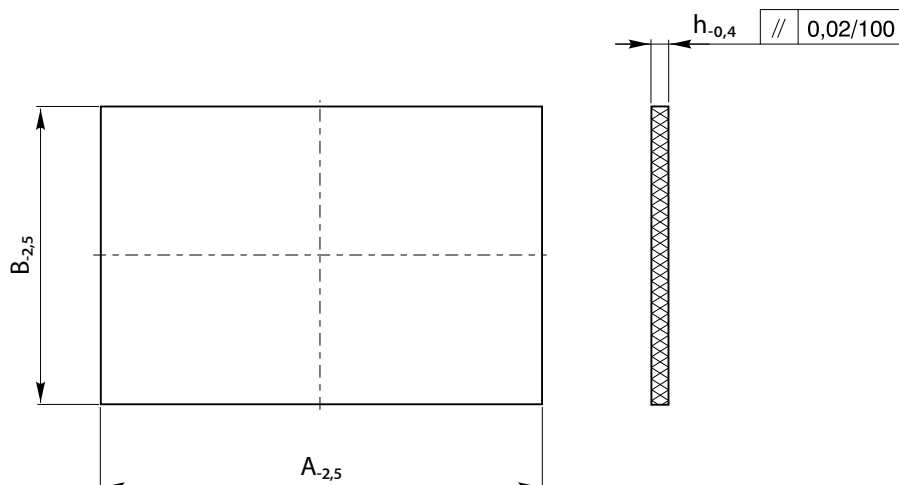


Maksymalna temperatura robocza: 240 °C
 Maximum service temperature

Absorpcja wody: 0,05 %/24 h
 Water absorption

Gęstość: 2,0 g/cm³
 Density

Współcz. przewodnictwa cieplnego: .. 0,22 W/m K
 Thermal conductivity



B	A	h	Nr kat. / Item no.
446	496	8	PIC-446 496/8
	546		PIC-446 546/8
	596		PIC-446 596/8
	646		PIC-446 646/8
	696		PIC-446 696/8
	796		PIC-446 796/8
496	496	8	PIC-496 496/8
	546		PIC-496 546/8
	596		PIC-496 596/8
	646		PIC-496 646/8
	696		PIC-496 696/8
546	546	8	PIC-546 546/8
	596		PIC-546 596/8
	646		PIC-546 646/8
	696		PIC-546 696/8
	796		PIC-546 796/8
596	596	8	PIC-596 596/8
	646		PIC-596 646/8
	696		PIC-596 696/8
	796		PIC-596 796/8
	896		PIC-596 896/8
	996		PIC-596 996/8
646	646	8	PIC-646 646/8
	696		PIC-646 696/8
	796		PIC-646 796/8
	896		PIC-646 896/8
	996		PIC-646 996/8
696	696	8	PIC-696 696/8
	746		PIC-696 746/8
	796		PIC-696 796/8
	896		PIC-696 896/8
	996		PIC-696 996/8
746	796	8	PIC-746 796/8
	896		PIC-746 896/8
	996		PIC-746 996/8
796	796	8	PIC-796 796/8
	846		PIC-796 846/8
	896		PIC-796 896/8

B	A	h	Nr kat. / Item no.	
796	996	8	PIC-796 996/8	
846	896		PIC-846 896/8	
	996		PIC-846 996/8	
246	496	8,5	PIC-246 496/8,5	
296	296		PIC-296 296/8,5	
	346		PIC-296 346/8,5	
	396		PIC-296 396/8,5	
	446		PIC-296 446/8,5	
	496		PIC-296 496/8,5	
	546		PIC-296 546/8,5	
	596		PIC-296 596/8,5	
	696		PIC-296 696/8,5	
	346		346	PIC-346 346/8,5
			396	PIC-346 396/8,5
446		PIC-346 446/8,5		
496		PIC-346 496/8,5		
546		PIC-346 546/8,5		
396	596	PIC-346 596/8,5		
	696	PIC-346 696/8,5		
	796	PIC-346 796/8,5		
	396	PIC-396 396/8,5		
	446	PIC-396 446/8,5		
	496	PIC-396 496/8,5		
	546	PIC-396 546/8,5		
	596	PIC-396 596/8,5		
446	696	PIC-396 696/8,5		
	796	PIC-396 796/8,5		
	896	PIC-396 896/8,5		
	446	PIC-446 446/8,5		
	496	PIC-446 496/8,5		
	546	PIC-446 546/8,5		
	596	PIC-446 596/8,5		
496	696	PIC-446 696/8,5		
	796	PIC-446 796/8,5		
	896	PIC-446 896/8,5		
	496	PIC-496 496/8,5		
	546	PIC-496 546/8,5		
596	PIC-496 596/8,5			
696	PIC-496 696/8,5			

B	A	h	Nr kat. / Item no.
496	796	8,5	PIC-496 796/8,5
	896		PIC-496 896/8,5
	996		PIC-496 996/8,5
546	546		PIC-546 546/8,5
	596		PIC-546 596/8,5
	646		PIC-546 646/8,5
	696		PIC-546 696/8,5
	796		PIC-546 796/8,5
596	896		PIC-546 896/8,5
	996		PIC-546 996/8,5
	596		PIC-596 596/8,5
	696	PIC-596 696/8,5	
646	796	PIC-596 796/8,5	
	896	PIC-596 896/8,5	
	996	PIC-596 996/8,5	
696	596	PIC-646 596/8,5	
	696	PIC-646 696/8,5	
	796	PIC-646 796/8,5	
	896	PIC-646 896/8,5	
796	996	PIC-646 996/8,5	
	696	PIC-696 696/8,5	
	796	PIC-696 796/8,5	
896	896	PIC-696 896/8,5	
	996	PIC-696 996/8,5	
	796	PIC-796 796/8,5	
896	896	PIC-796 896/8,5	
	996	PIC-796 996/8,5	
896	896	PIC-896 896/8,5	
	996	PIC-896 996/8,5	