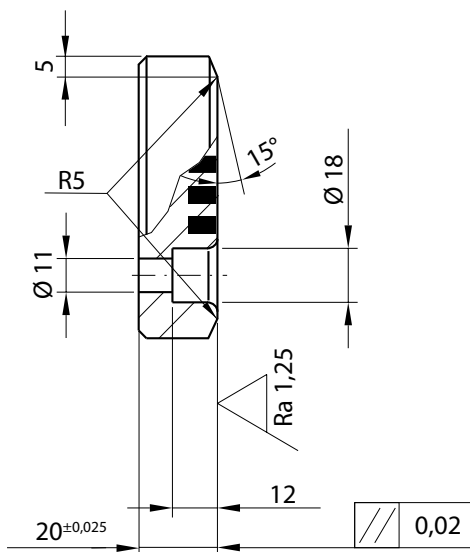


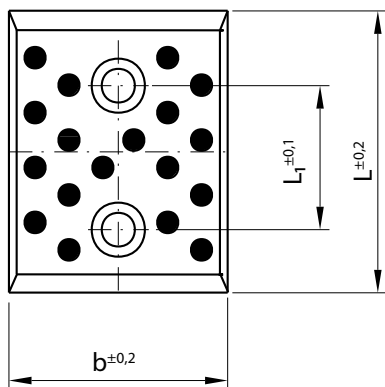
RPG

PLYTKA SAMOSMARNA WEAR PLATE SELF LUBRICATING

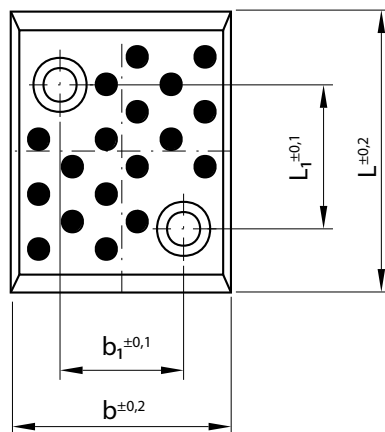


Mat.:
Brąz aluminiowy + grafit
Aluminium bronze + graphite

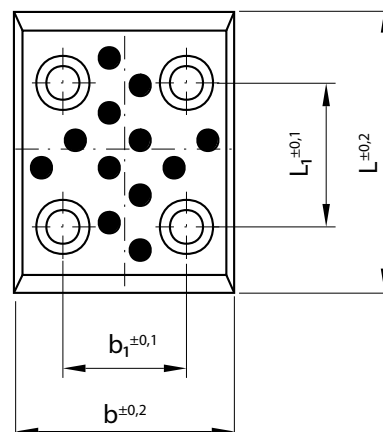
FORMA A
FORM A



FORMA B
FORM B



FORMA C
FORM C



Forma	Nr kat. / Item no.	b	b ₁	L	L ₁
A	RPG-038100	38		100	50
A	RPG-038150			150	100
A	RPG-048075	48		75	45
A	RPG-048100			100	50
A	RPG-048125			125	75
A	RPG-048150			150	100
A	RPG-048200			200	150
A	RPG-075125			125	75
A	RPG-075150	75		150	100
A	RPG-075200			200	150
B	RPG-075075	75	25	75	25
B	RPG-075100			100	50
C	RPG-100100	100	50	100	50
C	RPG-100125			125	75
C	RPG-100150			150	100
C	RPG-100200			200	150
C	RPG-100250			250	200
C	RPG-125150			125	50
C	RPG-125200	200	150		
C	RPG-125250	250	200		
C	RPG-150150	150	100	150	100
C	RPG-150200			200	150
C	RPG-150250			250	200