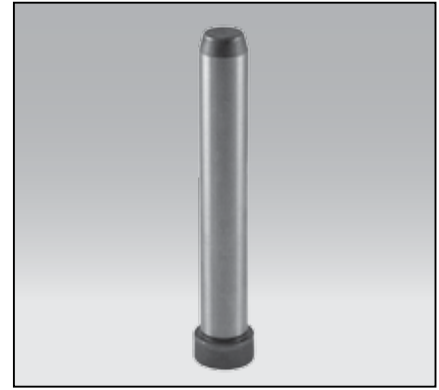
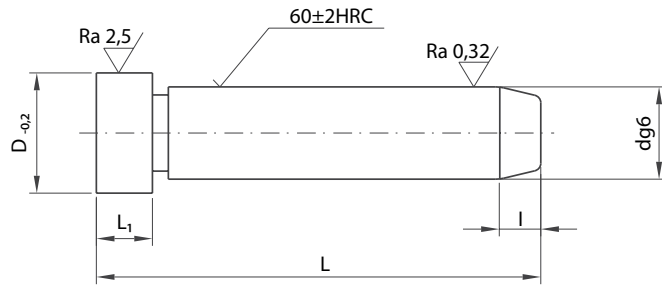


# FAP

# SŁUP SKOŚNY ANGLE PILLAR



Mat.: 1.7131  
Nawęglany / Carbonized

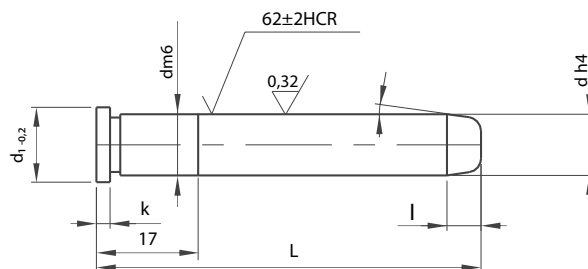
I	D	L <sub>1</sub>	d	L	Nr kat. / Item no.
4	12	3	9	40	FAP-09040
				60	FAP-09060
				80	FAP-09080
				100	FAP-09100
				120	FAP-09120
4	12	3	10	40	FAP-10040
				60	FAP-10060
				80	FAP-10080
				100	FAP-10100
				120	FAP-10120
7	16	6	12	40	FAP-12040
				60	FAP-12060
				80	FAP-12080
				100	FAP-12100
				120	FAP-12120
				140	FAP-12140
7	18	8	14	60	FAP-14060
				80	FAP-14080
				100	FAP-14100
				120	FAP-14120
				140	FAP-14140
				160	FAP-14160
				180	FAP-14180
				200	FAP-14200
7	18	8	15	60	FAP-15060
				80	FAP-15080
				100	FAP-15100
				120	FAP-15120
				140	FAP-15140
				160	FAP-15160
				180	FAP-15180
7	20	8	16	40	FAP-16040
				60	FAP-16060
				80	FAP-16080

I	D	L <sub>1</sub>	d	L	Nr kat. / Item no.
7	20	8	16	100	FAP-16100
				120	FAP-16120
				140	FAP-16140
				160	FAP-16160
				180	FAP-16180
7	22	8	18	60	FAP-18060
				80	FAP-18080
				100	FAP-18100
				120	FAP-18120
				140	FAP-18140
				160	FAP-18160
				180	FAP-18180
7	24	8	20	60	FAP-20060
				80	FAP-20080
				100	FAP-20100
				120	FAP-20120
				140	FAP-20140
				160	FAP-20160
7	26	15	22	180	FAP-21800
				200	FAP-22000
				220	FAP-22200
				240	FAP-22400
				80	FAP-22080
				100	FAP-22100
				120	FAP-22120
				140	FAP-22140
				160	FAP-22160
				180	FAP-22180
7	28	15	24	80	FAP-24080
				100	FAP-24100

I	D	L <sub>1</sub>	d	L	Nr kat. / Item no.
7	28	15	24	120	FAP-24120
				140	FAP-24140
				160	FAP-24160
				180	FAP-24180
				200	FAP-24200
				220	FAP-24220
				240	FAP-24240
7	36	15	30	240	FAP-24240
				300	FAP-24300
				100	FAP-30100
				120	FAP-30120
				160	FAP-30160
				200	FAP-30200
				240	FAP-30240
7	36	15	32	300	FAP-30300
				360	FAP-30360
				100	FAP-32100
				120	FAP-32120
				160	FAP-32160
				200	FAP-32200
				240	FAP-32240
10	48	15	40	240	FAP-40240
				300	FAP-40300
				360	FAP-40360
				160	FAP-40160
				200	FAP-40200
				240	FAP-40240
15	58	15	50	160	FAP-50160
				200	FAP-50200
				240	FAP-50240
				300	FAP-50300
				360	FAP-50360

# FSP

# SŁUP PROWADZĄCY GUIDE PILLAR



d	d <sub>1</sub>	I	k	Nr kat. / Item no.							
				L = 80	L = 100	L = 120	L = 140	L = 160	L = 200	L = 240	
12	16	4	4	FSP-12080	FSP-12100	FSP-12120					
18	22	7	6			FSP-18120	FSP-18140	FSP-18160			
30	36	7	6					FSP-30160	FSP-30200	FSP-30240	

Mat.: 1.7131  
Nawęglany / Carbonized